

Workstations designed for testing, service or repair serve as essential hubs in industries where service and maintenance are paramount.

Our adept design team comprehends the intricacies of your working environment, having collaborated with numerous prominent industrial, research, educational, and government facilities. We specialize in curating workstations that encompass the ideal combination of features, options, and accessories tailored to meet the unique demands of your tasks.

The Workplace[®] product line, known for its versatility, offers a myriad of layout possibilities, each meticulously crafted to fulfill specific requirements. These designs not only establish a robust foundation for a lifetime of reliable service but also boast adaptability, ensuring they can be easily retrofitted to accommodate evolving needs in the future.



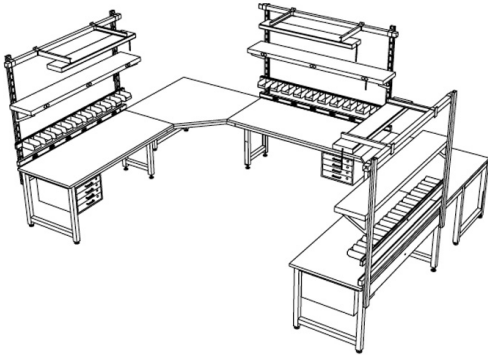
Ready to get started? We Are.

Conceptual drawings, and detailed cost quotes are provided on a no-obligation basis. Visit our website or contact a Design Specialist today for more details.

workplacenh.com
sales@workplacenh.com
800.258.9700

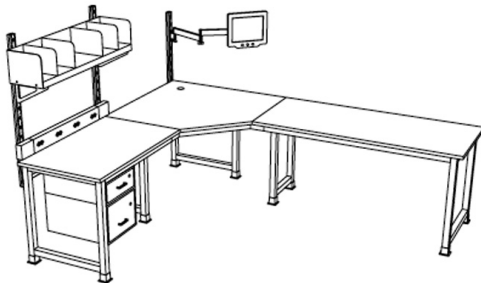


Test & Repair Station | TD-003



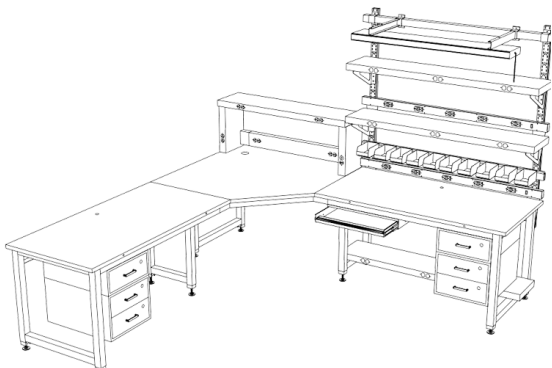
A U-shape configuration makes the most of limited square footage for a test and repair application. Three identical work set-ups were provided with adjustable overtable accessories including powerstrips, mounting rails with plastic bins, shelves, and light suspension systems. A hanging drawer case at each station stores small parts and hand tools. The two corner sections provide a buffer zone between stations and additional work surface or storage space for shared access.

Service Cell | TD-005



An 8'x10x30"D work space was specified for the repair and inspection of high vacuum valves. The Series 5300 unit is equipped with accessories including hanging drawers, a 20-amp wiretrough, adjustable divider shelf, and articulating monitor arm.

Computer Equipment Repair | TD-010



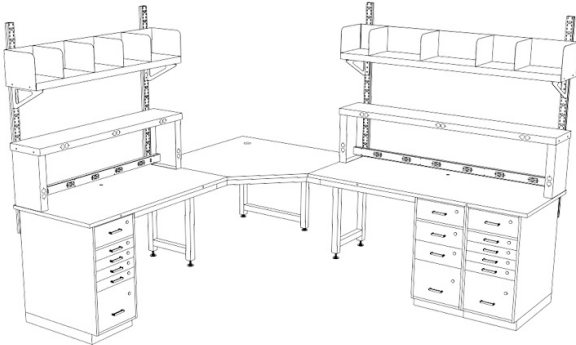
A length of nine feet in each direction provided a much needed work surface for a repair operation. Overhead storage, lighting and power accessories are concentrated on one wing for intensive repair functions, while the remaining wing is kept open.

R&D Department | TD-001



A corner workstation utilizing components from a Series 5300 exemplifies the versatility and flexibility of Workplace[®] Modular Systems product lines.

Return Electronics - Bio-hazard Department | TD-009



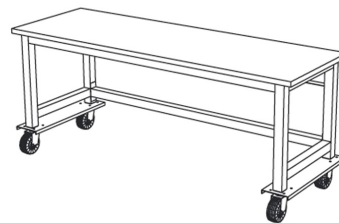
A 9'x10'x36"H workstation features three cabinet supports to accommodate the volume of drawer storage space required. Fixed riser shelves and adjustable overtable divider shelves provide additional equipment storage. Power needs are met with two 15-amp powerstrips.

Repair Station | ED-018



This 36"Dx72"Lx36"H Series 7000 Technician Station includes accessories such as an undertable shelf, keyboard tray, articulating flat screen arm, 15-amp powerstrip, overtable shelves and light suspension system on double Standard Uprights. Series 6100 shelving provides storage for equipment and supplies.

Fiber Cutting | ED-019



A 24"Dx72"L Series 4500 mobile table fulfills the requirements of a processing lab's fiber cutting application. With the ability to be moved at anytime, this mobile unit provides a flexible alternative to traditional stationary tables.