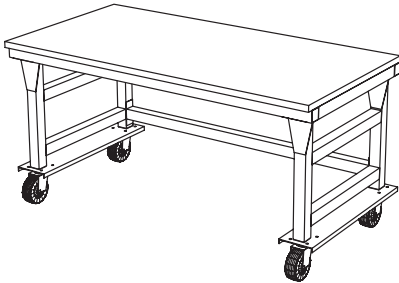


**PARTS & HARDWARE INCLUDED:** Do not remove components from cartons prior to assembly. Use the packing list to locate components. Keep hardware kits in labeled packaging until ready to use.



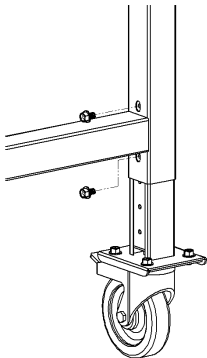
COMPONENTS	KIT-21	KIT-02
Worksurface (1)	5/16" Flat Washer (4)	5/16" Flat Washer (8)
Frame (1)	5/16-18 x 3/4" HHCS (4)	5/16-18 x 3/4" HHCS (8)
Swaybrace (1)		Joining Plates (4)
Leg Sections (2)		
End Caps (4)	<b>KIT-38</b>	<b>KIT-04</b>
Swaybar (1)	5/16-18 X 5/8" HHC	Z Clips (4/6)
Casters (4)	5/16-18 Flange Nuts	1/4" Flat Washers (4/6)
	5/16" Flat Washers	1/4-20 x 3/4" RHMS (4/6)

### ASSEMBLY TIPS

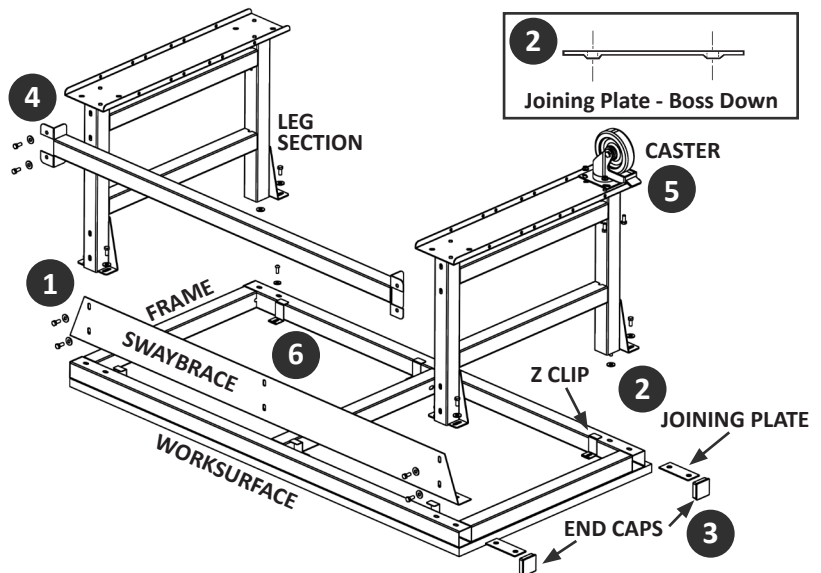
- Lay top upside down before you begin assembly of the Frame & Legs. Pay attention to the orientation of the Top (rear inserts are closer to the edge).
- Front of Frame bears the Workplace nameplate.
- Hand-tighten all hardware until specified otherwise.
- Two people are required to turn the assembly workstation right-side-up.

### ADJUSTING THE WORKHEIGHT

- Legs are typically set at 34"H and adjust in 1-1/2" increments.
- Remove the hardware from above and below the horizontal crossmember and adjust the leg extender. Replace hardware & tighten securely.



- 1 Position Frame flush to rear edge of Worksurface. Position Swaybrace to Frame followed by Legs. Fasten Swaybrace to back of Legs using KIT-21.
- 2 Insert and hold Joining Plate (KIT-02) boss side face down into open Frame end. Fasten Legs to Frame using KIT-02.
- 3 Install End Caps at open Frame ends.
- 4 Remove and discard hardware from the rear base of Leg Sections; use KIT-21 to mount the Swaybar to Leg Sections.
- 5 Attach Casters to base of Leg Sections using KIT-38. Tighten hardware.



- 6 Fasten framework to the Worksurface using KIT-04.

**NOTE:** Make sure components are properly aligned.

