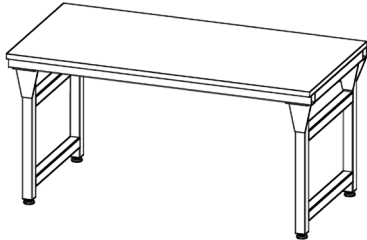


**PARTS & HARDWARE INCLUDED:** Do not remove components from cartons prior to assembly. Use the packing list to locate components. Keep hardware kits in labeled packaging until ready to use.



**COMPONENTS**

Worksurface (1)  
Frame (1)  
Swaybrace (1)  
Leg Sections (2)  
End Caps (4)

**KIT-21**

5/16" Flat Washer (4)  
5/16-18 x 3/4" HHCS (4)

**KIT-02**

5/16" Flat Washer (8)  
5/16-18 x 3/4" HHCS (8)  
Joining Plates (4)

**KIT-04**

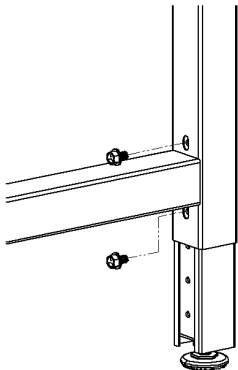
Z Clips (4/6)  
1/4" Flat Washers (4/6)  
1/4-20 x 3/4" RHMS (4/6)

**ASSEMBLY TIPS**

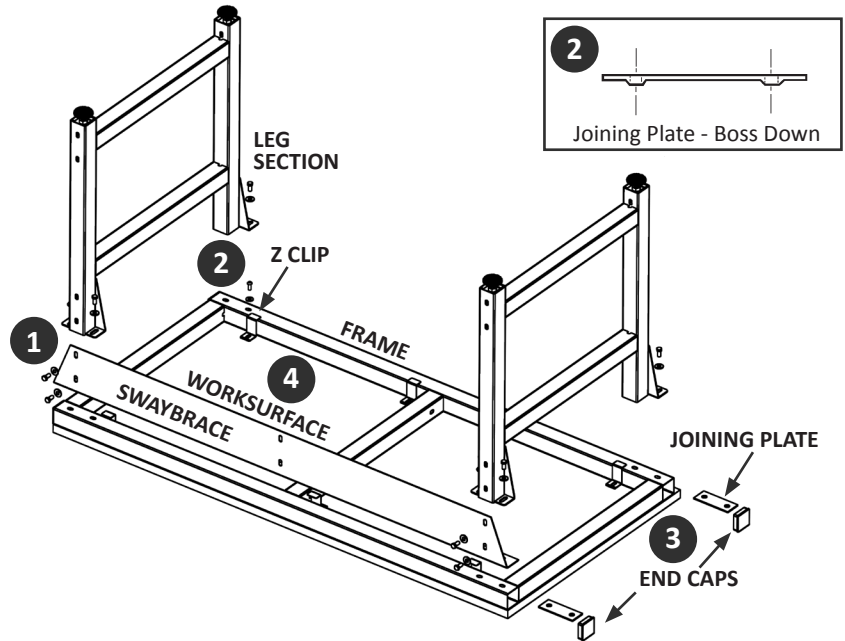
- Lay top upside down before you begin assembly of the Frame & Legs. Pay attention to the orientation of the Top (rear inserts are closer to the edge).
- Front of Frame bears the Workplace nameplate.
- Hand-tighten all hardware until specified otherwise.
- Two people are required to turn the assembly workstation right-side-up.

**ADJUSTING THE WORKHEIGHT**

- Legs are typically set at 34"H and adjust in 1-1/2" increments.
- Remove the hardware from above and below the horizontal crossmember and adjust the leg extender. Replace hardware & tighten securely.



- 1 Position Frame flush to rear edge of Worksurface. Position Swaybrace to Frame followed by Legs. Fasten Swaybrace to back of Legs using KIT-21.
- 2 Insert and hold Joining Plate (KIT-02) boss side face down into open Frame end. Fasten Legs to Frame using KIT-02. Tighten hardware.
- 3 Install End Caps at open Frame ends.



Add Undertable Accessories before moving on to Step 4.

- 4 Fasten framework to the Worksurface using KIT-04.

**NOTE:** Make sure components are properly aligned.

