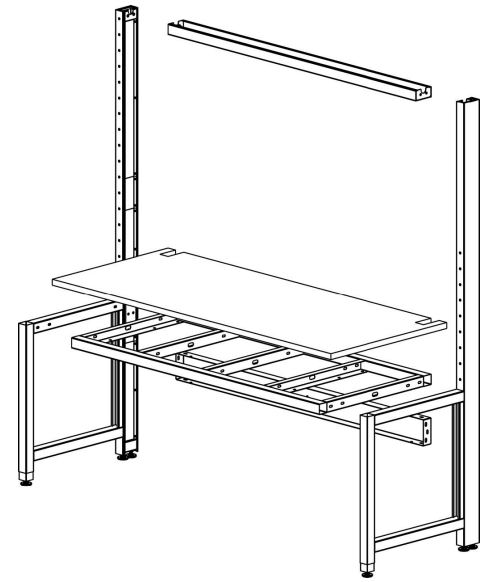


## StandardPlus Stationary Workstation

### Construction Details:

- ▶ Full-perimeter frame fabricated with 2"x2" square 18-gauge furniture grade steel tubing.
- ▶ Supports 800 Lbs., evenly distributed.
- ▶ Leg/chase sections are constructed out of a blend of 18-gauge furniture grade tubing and 14-gauge formed channels. (Mounting holes in chase allows for attachment of overhead accessories).
- ▶ Upper cross channels connect chase sections and provides additional lateral support.
- ▶ 7-position height adjustment between 30-37"H. Leg levelers add an additional 3/4" adjustment.
- ▶ Vertical utility panels provide options for power, data, or specialty air/gas.
- ▶ Integrated brackets in framework allows for easy addition of drawers and/or storage at any time.



### StandardPlus Workstation Sizes

Model #	Depth	Length	Height
44900-243680	24"	36"	80"
4900-244880	24"	48"	80"
4900-246080	24"	60"	80"
4900-247280	24"	72"	80"
4900-248480	24"	84"	80"
4900-249680	24"	96"	80"

Model #	Depth	Length	Height
4900-303680	30"	36"	80"
4900-304880	30"	48"	80"
4900-306080	30"	60"	80"
4900-307280	30"	72"	80"
4900-308480	30"	84"	80"
4900-309680	30"	96"	80"

Model #	Depth	Length	Height
4900-363680	36"	36"	80"
4900-364880	36"	48"	80"
4900-366080	36"	60"	80"
4900-367280	36"	72"	80"
4900-368480	36"	84"	80"
4900-369680	36"	96"	80"

\*Height is from bottom of leg to top of utility chase.

### Utility Options

- ▶ Electrical w/2-20 Amp/125 receptacles, circuit breaker, pilot light and on/off switch.
- ▶ Electrical w/2-15 Amp/125 receptacles, circuit breaker, pilot light and on/off switch.
- ▶ Data w/2 Decora Keystone data jacks.
- ▶ Service cutouts for specialty air/gases (1,2, or 3).
- ▶ Panel with (1) grommet.

Additional sizes and configurations available. Please contact a Design Specialist for more information.

# Metal Color & Worksurface Selection Guide

## Standard Metal Paint Color Selections



### Additional Color Options:

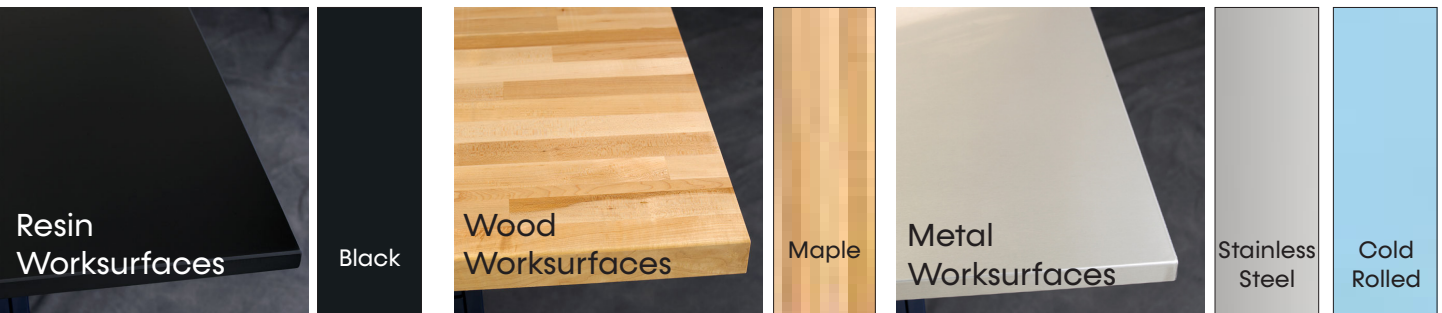
Premium colors and color matching are available, subject to additional charge and extended lead time. Please contact your Design Specialist for more information.

**Please Note:** Actual product color may vary significantly from colors shown above due to color calibration and resolution of monitors. For best accuracy, please ask for color samples.

### Worksurface Material & Color Selection:



Plastic laminates available with square or post-formed front edge.



Epoxy and Phenolic

Maple

Stainless is available in Type 304 or 316. No. 2B. Cold Rolled Steel worksurfaces are matched to your workbench metal color

### Additional Worksurface Color Options:

Additional laminate and resin colors are available. Please contact your design specialist for more information. Worksurface samples available upon request.