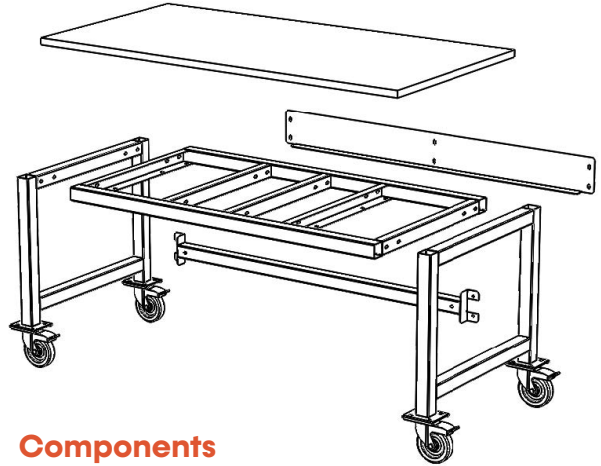


# Standard Mobile Workstation

## Construction Details:

- ▶ Fabricated with 2'x2", square 18-gauge furniture grade steel tubing.
- ▶ Full-perimeter frame provides support of worksurface - eliminating sagging or warping.
- ▶ Mobile legs are adjustable in 1.5" increments.
- ▶ Integrated brackets in frame allows for easy addition of drawers and storage at any time!



## Components

Frame (1), Swaybrace (1), Mobile Leg Sections (2), Casters (4), Swaybar (1), Worksurface (1)

## Standard Mobile Workstation

To configure, select a model number and worksurface.

Model #	Depth	Length	Height
A4531M242430	24"	24"	30-37.5"
A4531M243030	24"	30"	30-37.5"
A4531M243630	24"	36"	30-37.5"
A4531M244830	24"	48"	30-37.5"
A4531M246030	24"	60"	30-37.5"
A4531M247230	24"	72"	30-37.5"
A4531M248430	24"	84"	30-37.5"
A4531M249630	24"	96"	30-37.5"

Model #	Depth	Length	Height
A4531M242436	24"	24"	35-42.5"
A4531M243036	24"	30"	35-42.5"
A4531M243636	24"	36"	35-42.5"
A4531M244836	24"	48"	35-42.5"
A4531M246036	24"	60"	35-42.5"
A4531M247236	24"	72"	35-42.5"
A4531M248436	24"	84"	35-42.5"
A4531M249636	24"	96"	35-42.5"

Model #	Depth	Length	Height
A4531M302430	30"	24"	30-37.5"
A4531M303030	30"	30"	30-37.5"
A4531M303630	30"	36"	30-37.5"
A4531M304830	30"	48"	30-37.5"
A4531M306030	30"	60"	30-37.5"
A4531M307230	30"	72"	30-37.5"
A4531M308430	30"	84"	30-37.5"
A4531M309630	30"	96"	30-37.5"

Model #	Depth	Length	Height
A4531M302436	30"	24"	35-42.5"
A4531M303036	30"	30"	35-42.5"
A4531M303636	30"	36"	35-42.5"
A4531M304836	30"	48"	35-42.5"
A4531M306036	30"	60"	35-42.5"
A4531M307236	30"	72"	35-42.5"
A4531M308436	30"	84"	35-42.5"
A4531M309636	30"	96"	35-42.5"

Model #	Depth	Length	Height
A4531M362430	36"	24"	30-37.5"
A4531M363030	36"	30"	30-37.5"
A4531M363630	36"	36"	30-37.5"
A4531M364830	36"	48"	30-37.5"
A4531M366030	36"	60"	30-37.5"
A4531M367230	36"	72"	30-37.5"
A4531M368430	36"	84"	30-37.5"
A4531M369630	36"	96"	30-37.5"

Model #	Depth	Length	Height
A4531M362436	36"	24"	35-42.5"
A4531M363036	36"	30"	35-42.5"
A4531M363636	36"	36"	35-42.5"
A4531M364836	36"	48"	35-42.5"
A4531M366036	36"	60"	35-42.5"
A4531M367236	36"	72"	35-42.5"
A4531M368436	36"	84"	35-42.5"
A4531M369636	36"	96"	35-42.5"

Model numbers shown are based on our most common sizes - additional sizes (depth & length) as well as height are available. Contact us at 603.622.3727 to discuss your exact requirements.

# Metal Color & Worksurface Selection Guide

## Standard Metal Paint Color Selections



### Additional Color Options:

Premium colors and color matching are available, subject to additional charge and extended lead time. Please contact your Design Specialist for more information.

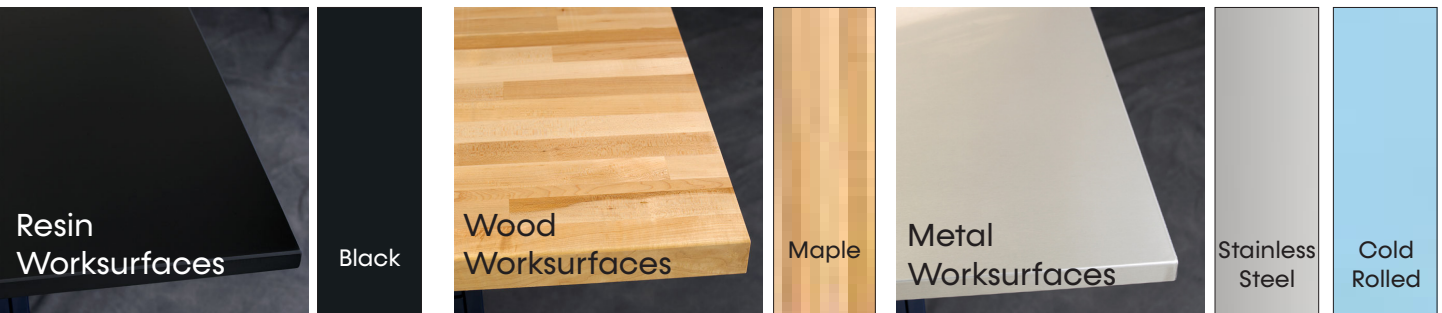
**Please Note:** Actual product color may vary significantly from colors shown above due to color calibration and resolution of monitors. For best accuracy, please ask for color samples.

### Worksurface Material & Color Selection:



\*Chemical Resistant Black only available in square front edge.

Plastic laminates available with square or post-formed front edge.



Epoxy and Phenolic

Maple

Stainless is available in Type 304 or 316. No. 2B. Cold Rolled Steel worksurfaces are matched to your workbench metal color

### Additional Worksurface Color Options:

Additional laminate and resin colors are available. Please contact your design specialist for more information. Worksurface samples available upon request.