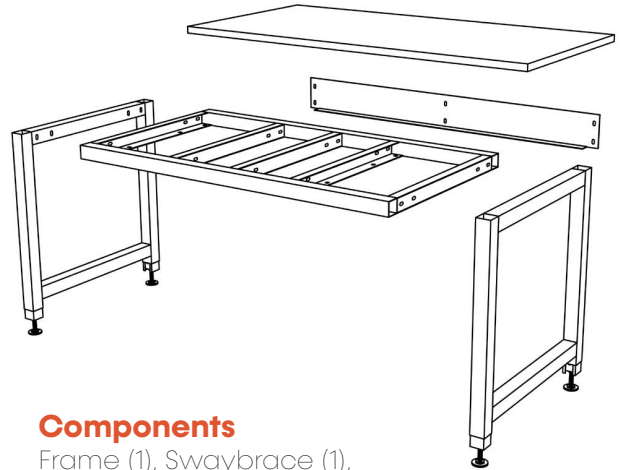


Standard Stationary Workstation

Construction Details:

- ▶ Fabricated with 2'x2", square 18-gauge furniture grade steel tubing.
- ▶ Full-perimeter frame provides support of worksurface - eliminating sagging or warping.
- ▶ Legs are adjustable in 1.5" increments. Leg levelers give an additional 3/4" adjustment.
- ▶ Integrated brackets in frame allows for easy addition of drawers and storage at any time!



Components

Frame (1), Swaybrace (1),
Leg Sections (2), Worksurface (1)

Standard Stationary Workstation

To configure, select a model number and worksurface.

Model #	Depth	Length	Height
A4500B242430	24"	24"	30-37.5"
A4500B243030	24"	30"	30-37.5"
A4500B243630	24"	36"	30-37.5"
A4500B244830	24"	48"	30-37.5"
A4500B246030	24"	60"	30-37.5"
A4500B247230	24"	72"	30-37.5"
A4500B248430	24"	84"	30-37.5"
A4500B249630	24"	96"	30-37.5"

Model #	Depth	Length	Height
A4500B242436	24"	24"	35-42.5"
A4500B243036	24"	30"	35-42.5"
A4500B243636	24"	36"	35-42.5"
A4500B244836	24"	48"	35-42.5"
A4500B246036	24"	60"	35-42.5"
A4500B247236	24"	72"	35-42.5"
A4500B248436	24"	84"	35-42.5"
A4500B249636	24"	96"	35-42.5"

Model #	Depth	Length	Height
A4500B302430	30"	24"	30-37.5"
A4500B303030	30"	30"	30-37.5"
A4500B303630	30"	36"	30-37.5"
A4500B304830	30"	48"	30-37.5"
A4500B306030	30"	60"	30-37.5"
A4500B307230	30"	72"	30-37.5"
A4500B308430	30"	84"	30-37.5"
A4500B309630	30"	96"	30-37.5"

Model #	Depth	Length	Height
A4500B302436	30"	24"	35-42.5"
A4500B303036	30"	30"	35-42.5"
A4500B303636	30"	36"	35-42.5"
A4500B304836	30"	48"	35-42.5"
A4500B306036	30"	60"	35-42.5"
A4500B307236	30"	72"	35-42.5"
A4500B308436	30"	84"	35-42.5"
A4500B309636	30"	96"	35-42.5"

Model #	Depth	Length	Height
A4500B362430	36"	24"	30-37.5"
A4500B363030	36"	30"	30-37.5"
A4500B363630	36"	36"	30-37.5"
A4500B364830	36"	48"	30-37.5"
A4500B366030	36"	60"	30-37.5"
A4500B367230	36"	72"	30-37.5"
A4500B368430	36"	84"	30-37.5"
A4500B369630	36"	96"	30-37.5"

Model #	Depth	Length	Height
A4500B362436	36"	24"	35-42.5"
A4500B363036	36"	30"	35-42.5"
A4500B363636	36"	36"	35-42.5"
A4500B364836	36"	48"	35-42.5"
A4500B366036	36"	60"	35-42.5"
A4500B367236	36"	72"	35-42.5"
A4500B368436	36"	84"	35-42.5"
A4500B369636	36"	96"	35-42.5"

Model numbers shown are based on our most common sizes - additional sizes (depth & length) as well as height are available. Contact us at 603.622.3727 to discuss your exact requirements.

Metal Color & Worksurface Selection Guide

Standard Metal Paint Color Selections



Additional Color Options:

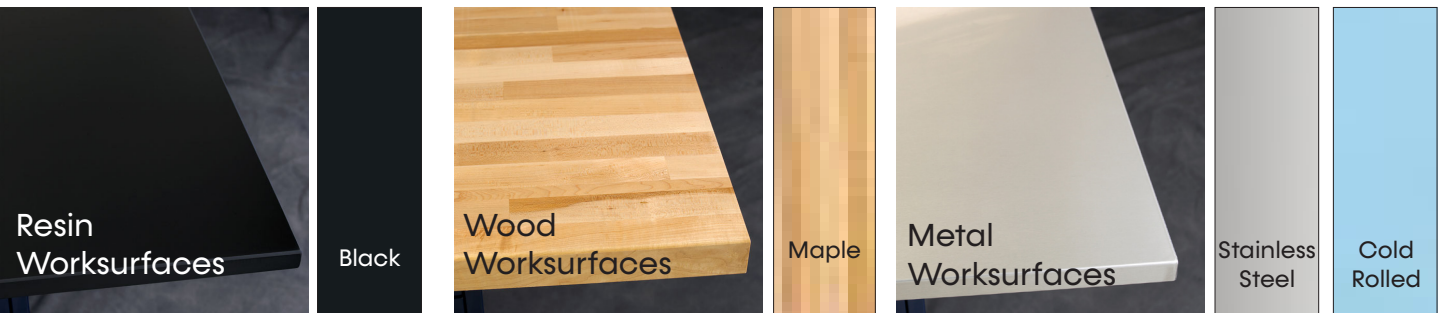
Premium colors and color matching are available, subject to additional charge and extended lead time. Please contact your Design Specialist for more information.

Please Note: Actual product color may vary significantly from colors shown above due to color calibration and resolution of monitors. For best accuracy, please ask for color samples.

Worksurface Material & Color Selection:



Plastic laminates available with square or post-formed front edge.



Epoxy and Phenolic

Maple

Stainless is available in Type 304 or 316. No. 2B. Cold Rolled Steel worksurfaces are matched to your workbench metal color

Additional Worksurface Color Options:

Additional laminate and resin colors are available. Please contact your design specialist for more information. Worksurface samples available upon request.