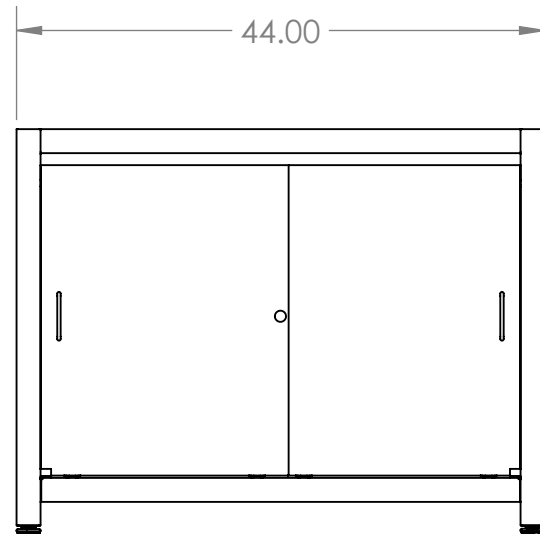


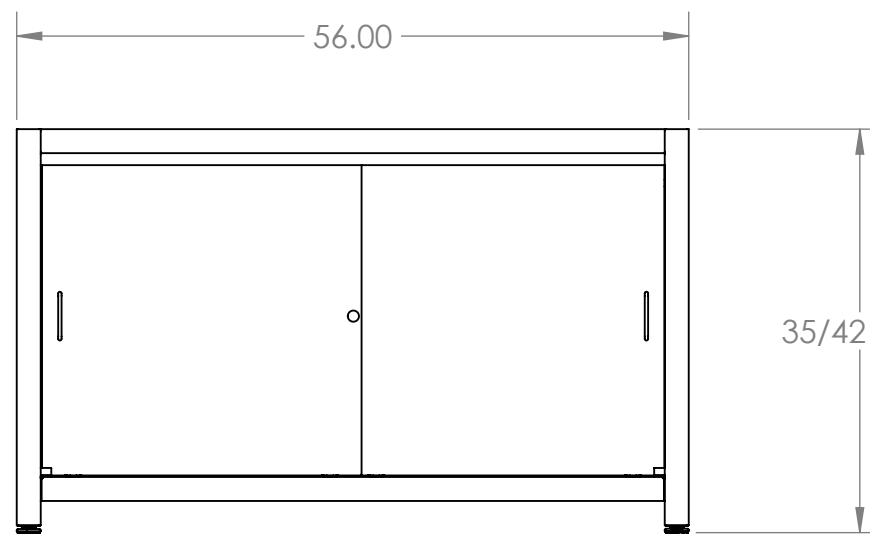
8 7 6 5 4 3 2 1

D

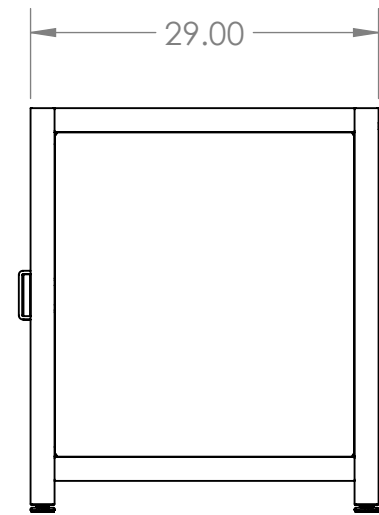
D



6600-3048S1S-SD

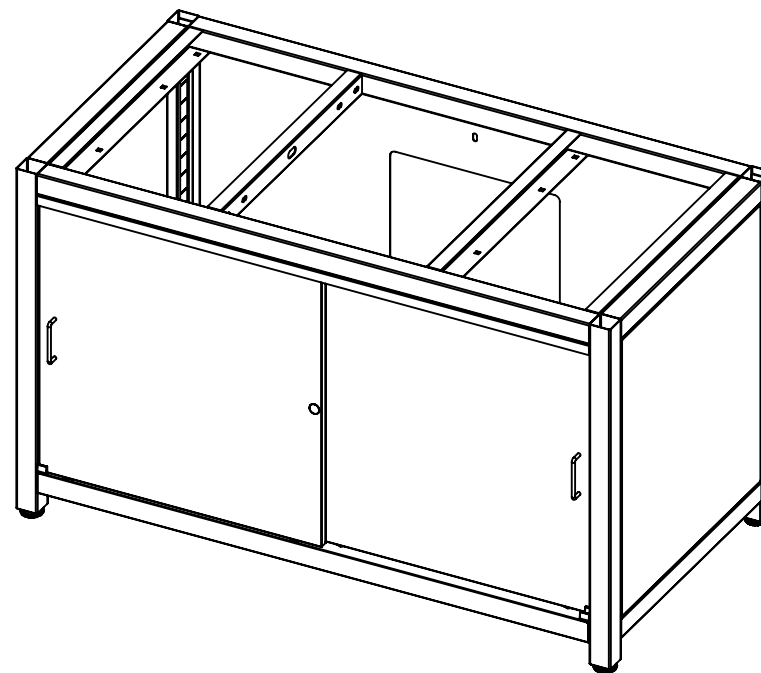
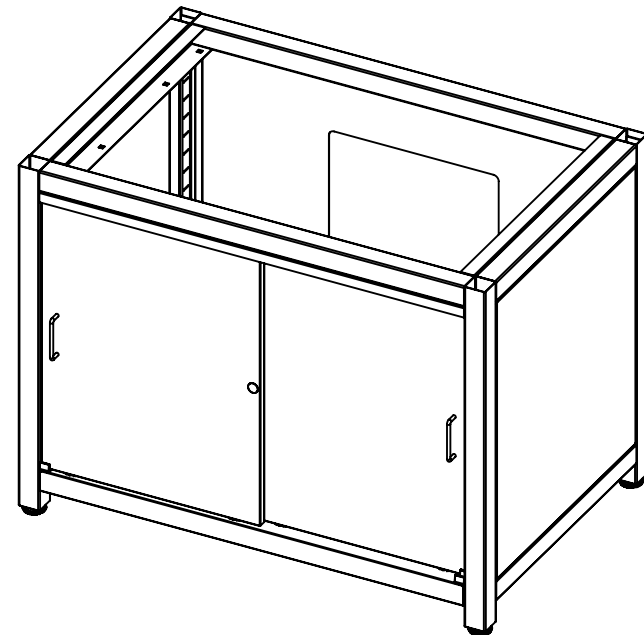


6600-3060S1S-SD



C

C



B

B

A

A



www.WorkplaceNH.com Londonderry, N.H. (603) 622-3727

TITLE: SINK BASE UNITS W/ SLIDING DOORS

DWG. NO. SINK-UNITS-SD

REV

Config. No.

THIS IS A PROPRIETARY DESIGN OF WORKPLACE SYSTEMS, INC. REPRODUCTION, MANUFACTURE OR USE OF ANY ASSEMBLY OR COMPONENT THEREOF, OR THE USE OF THE DESIGN OF ANY SUCH ASSEMBLY OR COMPONENT IS EXPRESSLY PROHIBITED AND IN NO EVENT IS THIS DRAWING OR DATA CARRIED THEREON TO BE MADE PUBLIC WITHOUT THE OWNERS CONSENT. THIS DRAWING IS RETURNABLE ON DEMAND.

PREPARED FOR:

DATE: 3/31/2021

DRAWN BY: D.B.

WEIGHT: - SHEET 1 OF 1

8 7 6 5 4 3 2 1