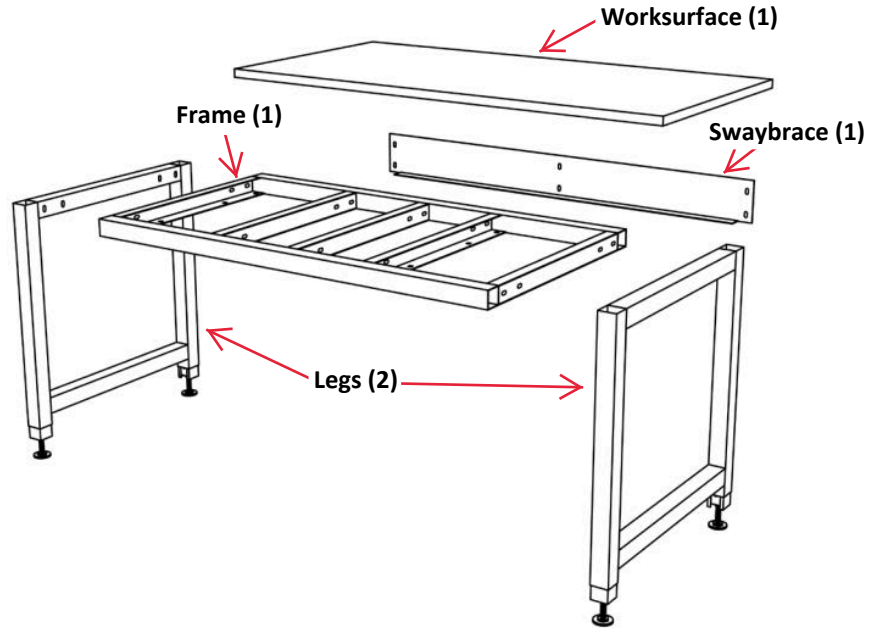


## CONSTRUCTION DETAILS

- Fabricated with 2" x 2", square 18-gauge furniture grade steel tubing
- Full-perimeter frame provides support of worksurface – eliminating sagging or warpage
- Integrated brackets in frame allows for easy addition of drawers & storage at any time
- Legs are manually adjustable in 1.5" increments

## COMPONENTS



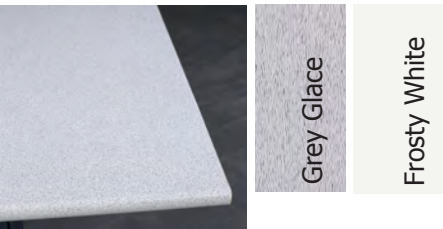
## WORKSTATION SIZES & OPTIONS

Stationary Standard Workstation Sizes			
Model #	Depth	Length	Height
A4500B304830X	30"	48"	30-37.5"
A4500B306030X	30"	60"	30-37.5"
A4500B307230X	30"	72"	30-37.5"
A4500B367230X	36"	72"	30-37.5"

## WORKSURFACES

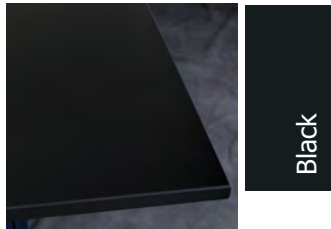
### LAMINATE

Square or Rounded Front Edge - 1" thick



### PHENOLIC RESIN

Black - 1" thick



### BUTCHER BLOCK

Maple - 1-3/4" thick



## METAL PAINT COLORS



**Contact a Design Specialist**  
**603-622-3727**