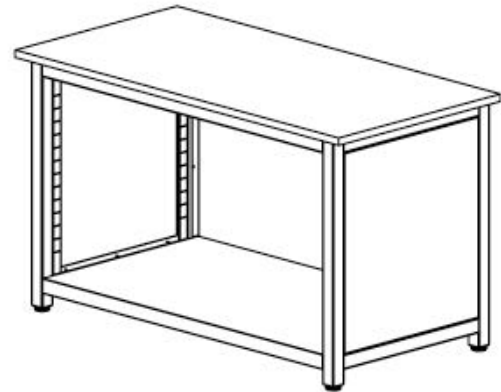


Open (No Door) Storage Workstation

Construction Details:

- ▶ Enclosed unit includes heavy-duty, full-depth shelf and comes fully assembled.
- ▶ Fabricated with 2"x2" square 18-gauge furniture grade steel tubing; designed to accept Workplace frame-mounted and over-table accessories.
- ▶ Full perimeter frame provides solid, distributed support of workstation.



Optional 1" full-depth shelf or pull-out tray may be added and is adjustable in 1.75" increments.

Open (No Door) Storage Workstations Stationary Models

Model #	Depth	Length	Height
6600-2448S1-ND	24"	48"	35-42"
6600-2460S1-ND	24"	60"	35-42"
6600-2472S1-ND	24"	72"	35-42"

Model #	Depth	Length	Height
6600-3048S1-ND	30"	48"	35-42"
6600-3060S1-ND	30"	60"	35-42"
6600-3072S1-ND	30"	72"	35-42"

Model #	Depth	Length	Height
6600-3648S1-ND	36"	48"	35-42"
6600-3660S1-ND	36"	60"	35-42"
6600-3672S1-ND	36"	72"	35-42"

Mobile Models (interior space reduced by 6")

Model #	Depth	Length	Height
6600-2448M1-ND	24"	48"	36"
6600-2460M1-ND	24"	60"	36"
6600-2472M1-ND	24"	72"	36"

Model #	Depth	Length	Height
6600-3048M1-ND	30"	48"	36"
6600-3060M1-ND	30"	60"	36"
6600-3072M1-ND	30"	72"	36"

Model #	Depth	Length	Height
6600-3648M1-ND	36"	48"	36"
6600-3660M1-ND	36"	60"	36"
6600-3672M1-ND	36"	72"	36"

Model numbers shown are based on our most common sizes - additional sizes (depth & length) as well as height are available. Contact us at 603.622.3727 to discuss your exact requirements.

Other Storage Workstation Configurations

- Sliding Door
- Hinged Door