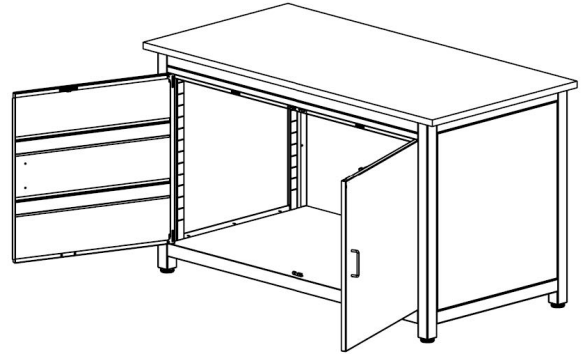


Hinged Door Storage Workstation

Construction Details:

- ▶ Enclosed unit includes heavy-duty, full-depth shelf and comes fully assembled.
- ▶ Fabricated with 2"x2" square 18-gauge furniture grade steel tubing; designed to accept Workplace frame-mounted and over-table accessories.
- ▶ Full perimeter frame provides solid, distributed support of workstation.
- ▶ Reinforced hinged door include chrome wire-pull handles. (Locks are optional, specify LK1 after model #).



Optional 1" full-depth shelf or pull-out tray may be added and is adjustable in 1.75" increments.

Hinged Door Storage Workstations Stationary Models

Model #	Depth	Length	Height
6600-2448S1-HD	24"	48"	35-42"
6600-2460S1-HD	24"	60"	35-42"
6600-2472S1-HD	24"	72"	35-42"

Model #	Depth	Length	Height
6600-3048S1-HD	30"	48"	35-42"
6600-3060S1-HD	30"	60"	35-42"
6600-3072S1-HD	30"	72"	35-42"

Model #	Depth	Length	Height
6600-3648S1-HD	36"	48"	35-42"
6600-3660S1-HD	36"	60"	35-42"
6600-3672S1-HD	36"	72"	35-42"

Mobile Models (interior space reduced by 6")

Model #	Depth	Length	Height
6600-2448M1-HD	24"	48"	36"
6600-2460M1-HD	24"	60"	36"
6600-2472M1-HD	24"	72"	36"

Model #	Depth	Length	Height
6600-3048M1-HD	30"	48"	36"
6600-3060M1-HD	30"	60"	36"
6600-3072M1-HD	30"	72"	36"

Model #	Depth	Length	Height
6600-3648M1-HD	36"	48"	36"
6600-3660M1-HD	36"	60"	36"
6600-3672M1-HD	36"	72"	36"

Model numbers shown are based on our most common sizes - additional sizes (depth & length) as well as height are available. Contact us at 603.622.3727 to discuss your exact requirements.

Other Storage Workstation Configurations

- Open (No Door)
- Sliding Door

Metal Color & Worksurface Selection Guide

Standard Metal Paint Color Selections



Additional Color Options:

Premium colors and color matching are available, subject to additional charge and extended lead time. Please contact your Design Specialist for more information.

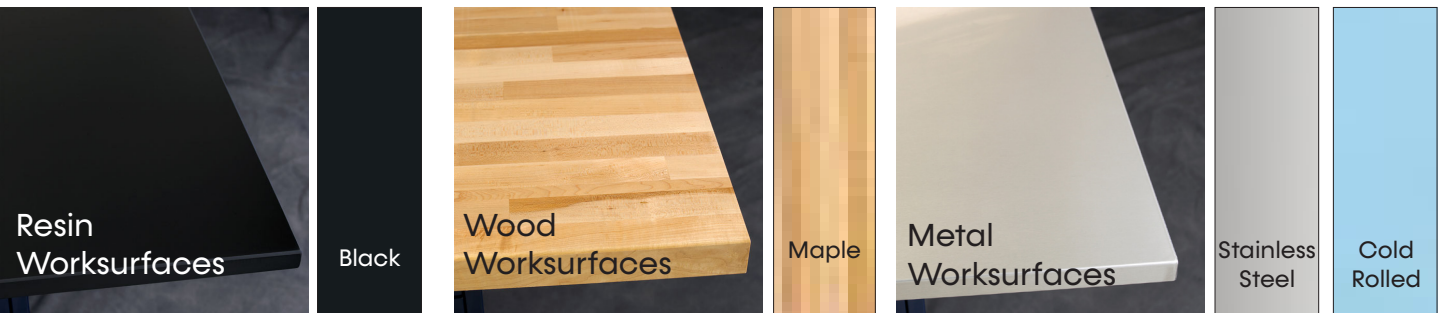
Please Note: Actual product color may vary significantly from colors shown above due to color calibration and resolution of monitors. For best accuracy, please ask for color samples.

Worksurface Material & Color Selection:



*Chemical Resistant Black only available in square front edge.

Plastic laminates available with square or post-formed front edge.



Epoxy and Phenolic

Maple

Stainless is available in Type 304 or 316. No. 2B. Cold Rolled Steel worksurfaces are matched to your workbench metal color

Additional Worksurface Color Options:

Additional laminate and resin colors are available. Please contact your design specialist for more information. Worksurface samples available upon request.